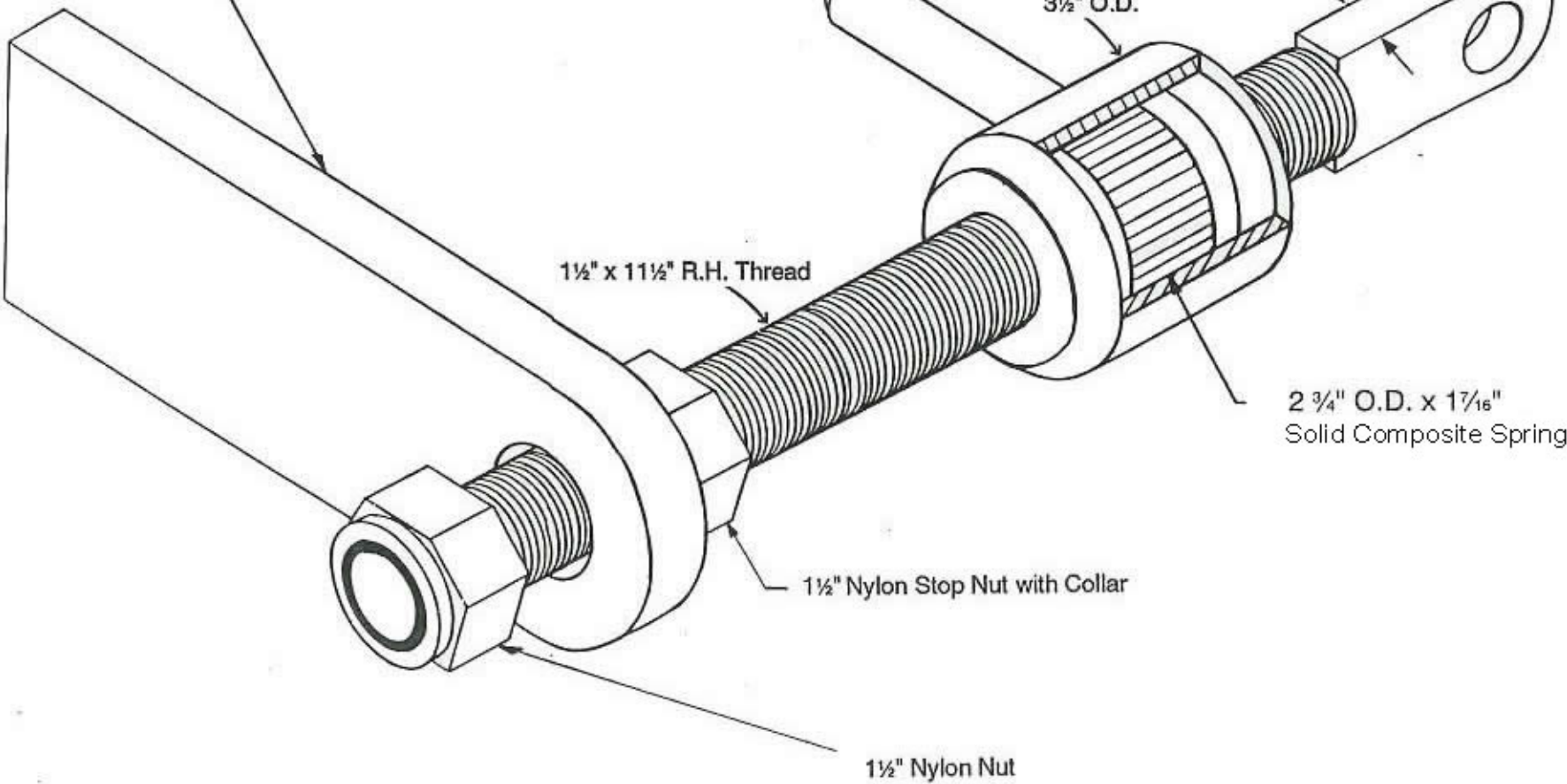


6516

Sold Separately

1 1/4" x 4" 12"



 **Heavy Duty**
Snow-Wheel
Dual Adjustment
Bolt with Spring Shock
Part No. 6511A