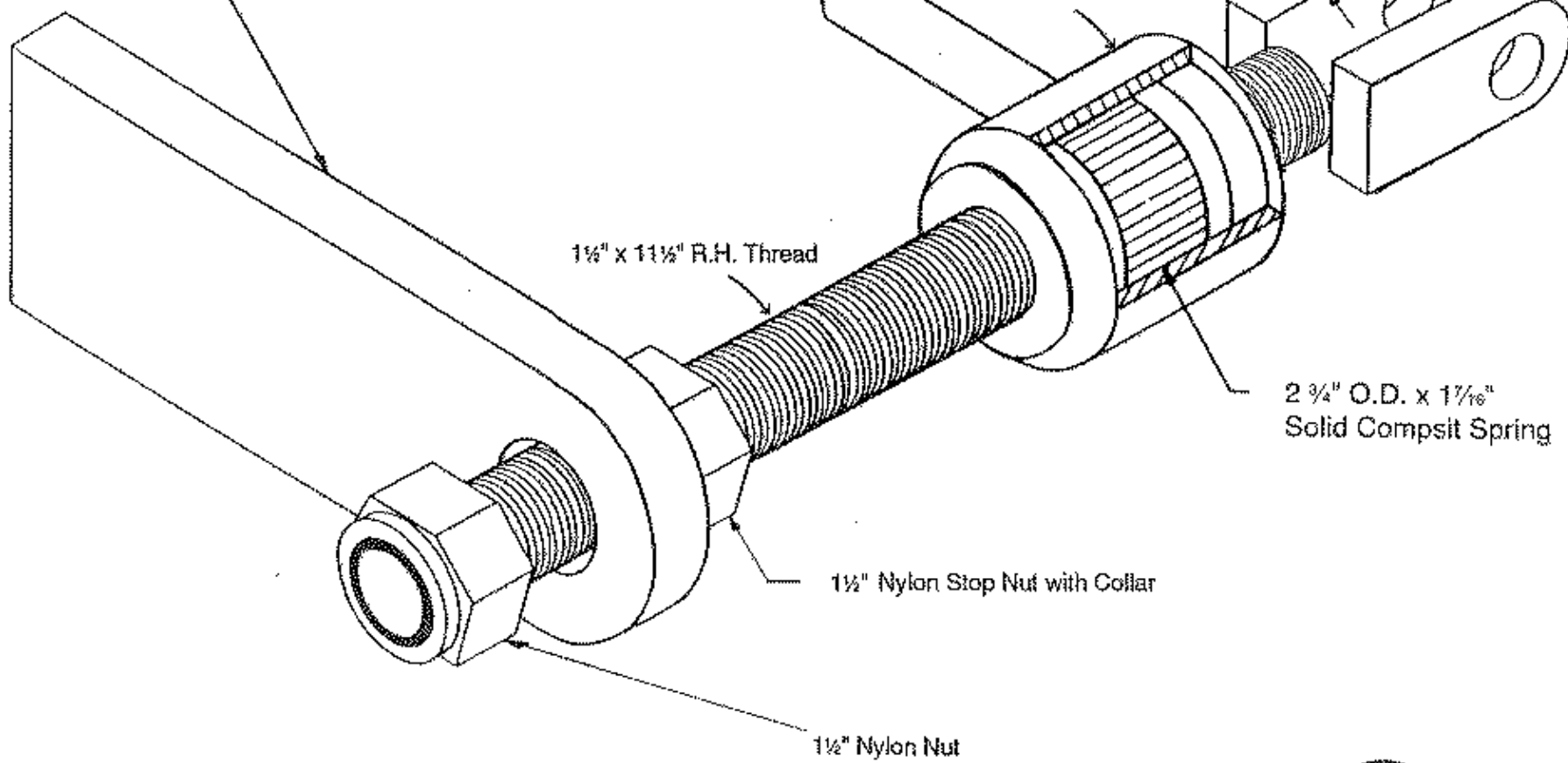


6516
Sold Separately

1 1/4" x 4" x 12"



Heavy Duty
Snow-Wheel
Single Adjustment
Bolt with Spring Shock
Part No. 6510A