









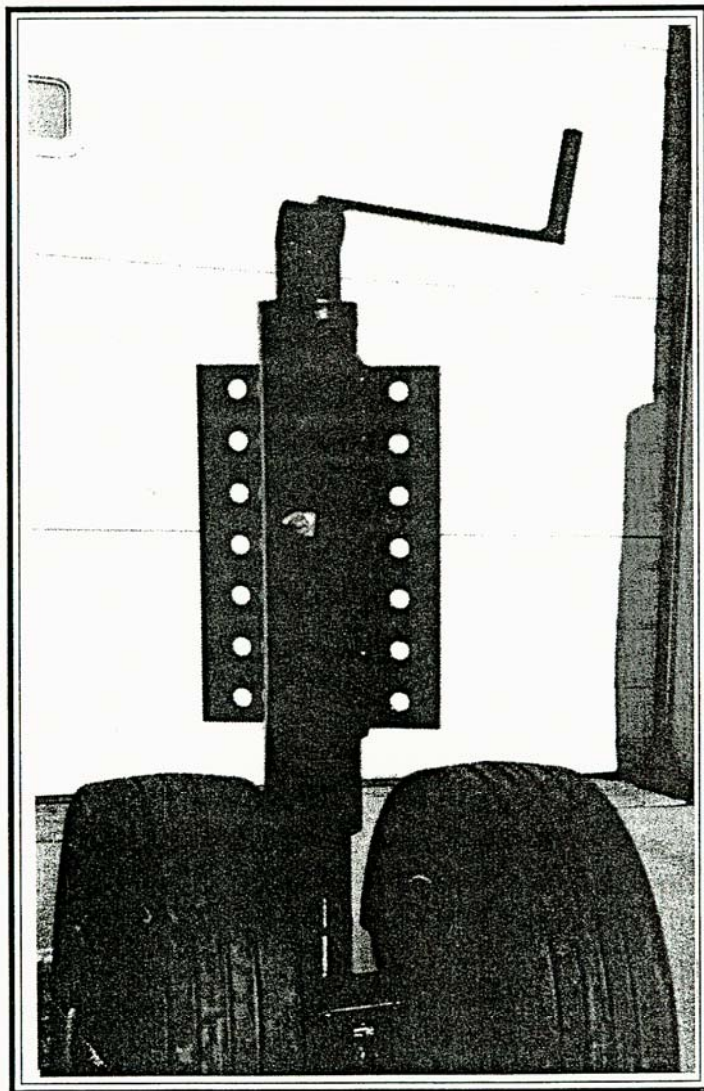
Snow-Wheel System



Dual Wheel Arm

7500 Series

Service and Parts Manual



7500 Series Photo View

Operations

• Snow Wheel Operation for Snowplows

Your Snow Wheels are designed to give you years of service. Before you put your Snow Wheels on the road check to make sure wheel alignment is correct. The wheels should be adjusted so that about 85% of the plow's weight is carried on the wheels. This will extend the life of the cutting edge and still scrape the pavement clean.

Snow Wheels can be adjusted to carry all of the plow's weight. This will keep the cutting edge above the surface on gravel roads and eliminate gravel thrown into the ditch.

• Snow Wheel Operation and Service Instructions for Snowblowers

When transporting loader mounted plows on highways at speeds 10 to 25 m.p.h. you should carry **more than half of the weight of the plow on the loader**. That will extend the life of the Snow Wheel tires. **Failure to do so will damage the tires.**

This can be achieved by putting the loader in float position and picking up on the snowblower until you travel without the loader hopping or you feel comfortable with the speed you are traveling.

Caution: Do not attempt to cross railroad tracks with the snowblower down on the Snow Wheels.

• Service Instructions for Snowplows & Snowblowers

If you look closely at the inner side of each hub, there is a **Hydraulic Shut-Off Grease Fitting**. Make sure hub is full of **QUALITY GREASE** at all times. This provides lubrication, prevents condensation and (water build-up). Pump grease into hub cavity until full. When full, grease will discharge from the relief valve fitting. This fitting is designed to **PREVENT** over greasing and blowing out **bearing seals**.



The first **four (4)** hours of use and after **eight (8)** hours, check **all wheel nuts** and **hub caps** for **tightness**.

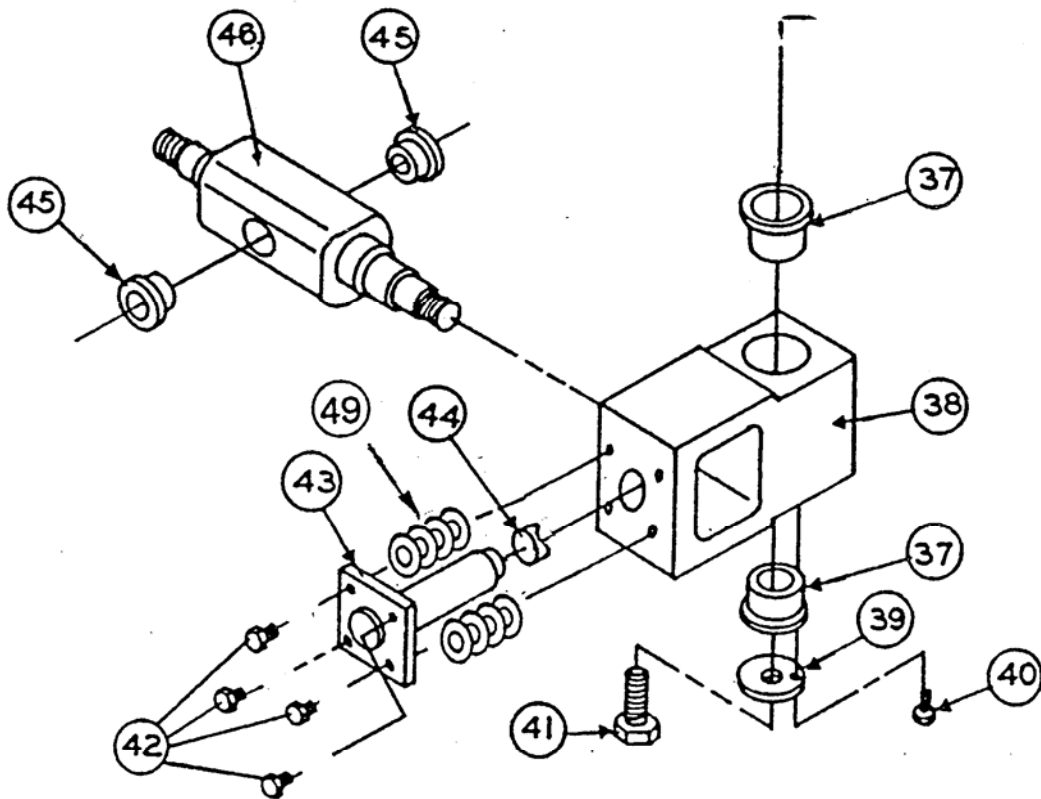
Re-pack wheel bearing every 5,000 plow miles OR ONCE A YEAR at the end of the snow season. **Make sure hubs are full of QUALITY grease to prevent condensation and water build up.**

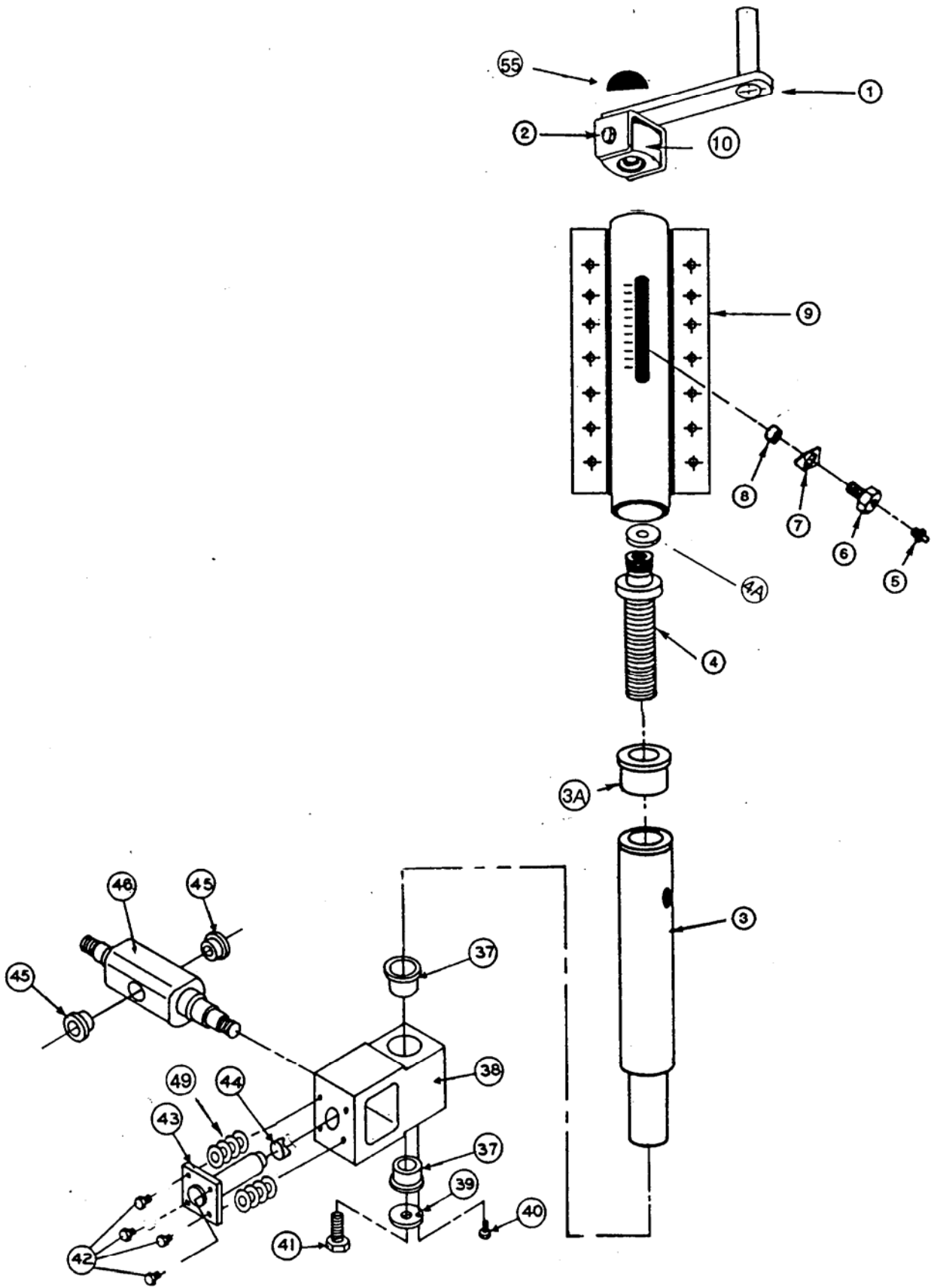
Use a good grade of medium to light wheel bearing grease. Retaining nut should be **tightened to 15 ft. lbs.** Make sure bearing surfaces are properly seated. Then back off one (1) notch and insert cotter key. Make sure wheel rolls freely before reassembling.

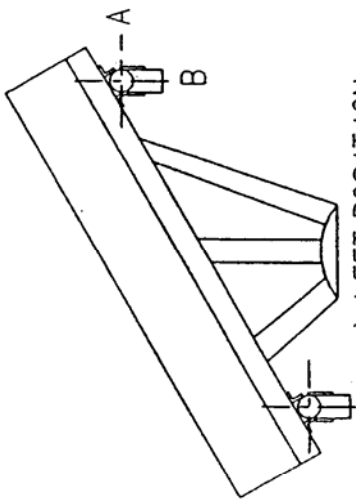
NOTE: Once per year be sure to check **alignment** of wheels on snowplow and snowblower.

Friction Plug Adjustment

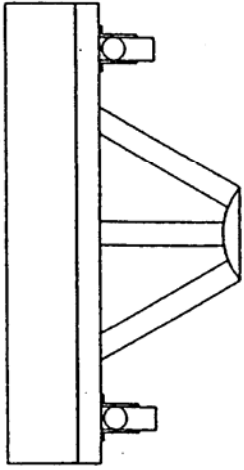
1. The friction plug's primary purpose is to hold the wheel stationary when the plow/blower is in the up and stored position.
2. If the wheel does not hold properly, the friction plug's tension will need to be adjusted.
3. To adjust the tension, remove one washer (item 49) from under spindle pivot pin (item 43) from all four bolts (item 42) and retighten to recommended bolt torque 40 foot pounds.
4. If all the washers (item 49) have been removed and the wheel does not remain stationary, the friction plug needs to be replaced. Make sure both surfaces are clean when reinstalling friction plug.





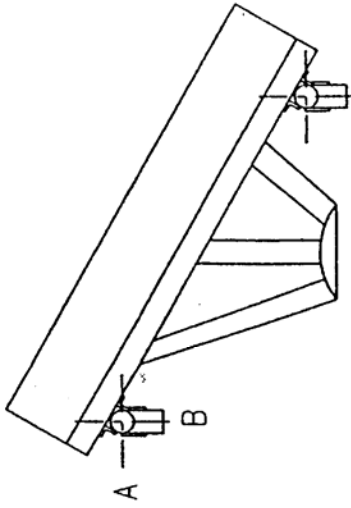


LEFT POSITION
 (WHEELS MUST BE PLUMB
 IN BOTH DIRECTIONS)
 REFER TO "A" AND "B"



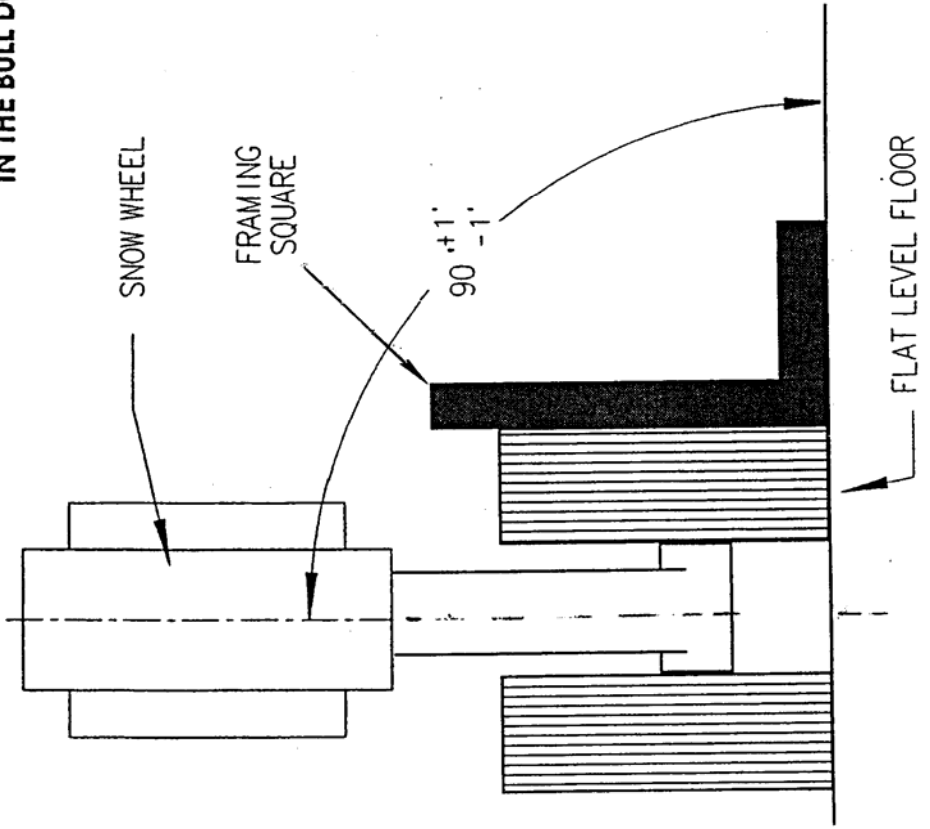
BULL DOZER POSITION

CAUTION:
DO NOT ALIGN SNOW WHEEL
IN THE BULL DOZER POSITION.



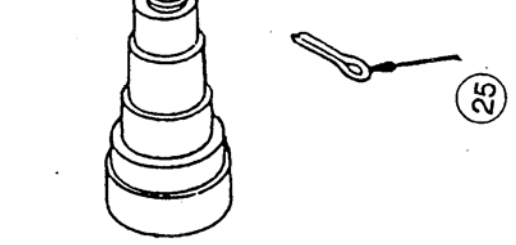
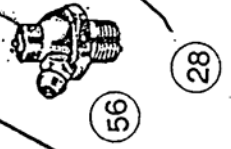
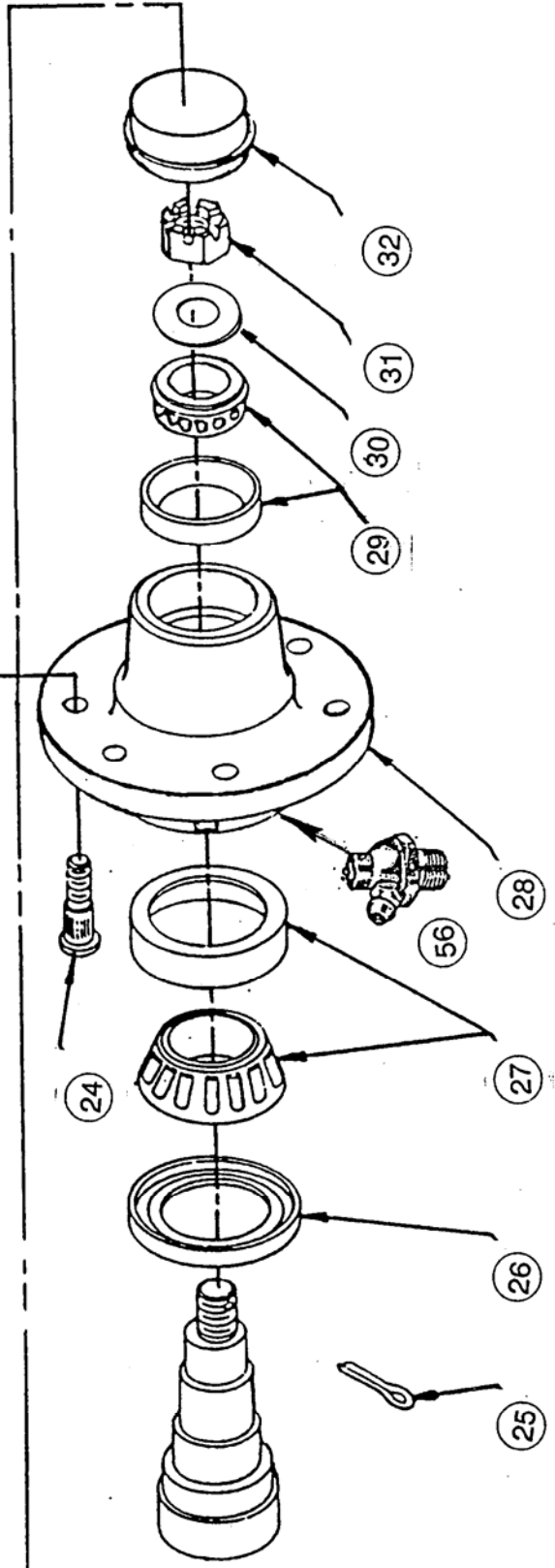
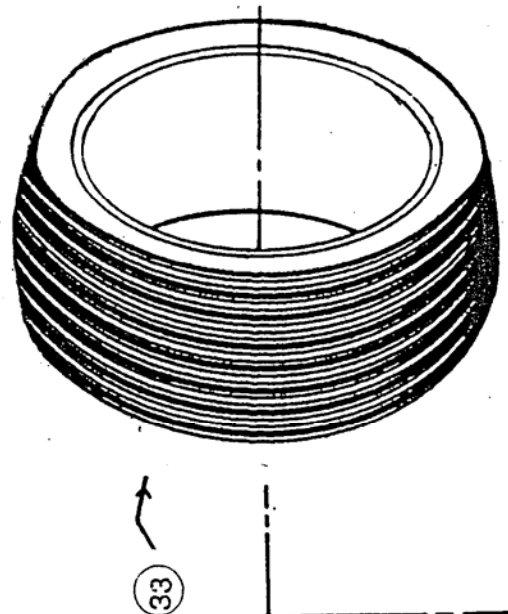
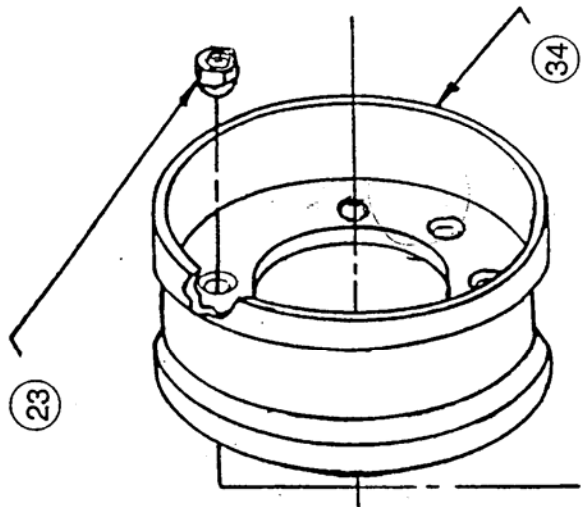
RIGHT POSITION

(WHEELS MUST BE PLUMB
 IN BOTH DIRECTIONS)
 REFER TO "A" AND "B"



- NOTE:**
1. PLOW MUST BE MOUNTED TO TRUCK TO ALIGN OR CHECK ALIGNMENT OF SWIVEL WHEELS.
 2. WHEEL MUST HAVE 17" SET BACK FROM CENTERLINE, WHEELS MUST BE ABLE TO SWIVEL 360 DEGREES WITHOUT ANY INTERFERENCE.

SNOW WHEEL SYSTEM	
7500 SWIVEL WHEEL APP'L	
DWG BY: TJB	DATE: 04/07/02 REV. 12/27/02
SCALE: NONE	





SNOW-WHEEL SYSTEM

P.O. Box 528 • 212 Home Street • Fairmont, MN 56031 • Fax & Ph. (507) 238-1980

• Parts List •

• Prices subject to change without notice •

7500 Series

Item Nbr.	Description	Part Number	Quantity	List Price
	7500 series (complete unit with solid tires)			
1	Crank Handle	7516	1	
2	3/8 x 3" Bolt & lock nut	7556	1	
3	Vertical Column Assembly	7525	1	
3A	Retaining Nut	7547	1	
4	Adjusting Screw	7517	1	
4A	Nylon Bearing	7590	1	
5	Grease fitting (drive in style)	7522	1	
6	Position Pointer Bolt	7520	1	
7	Position Pointer	7518	1	
8	Spacer	7526	1	
9	Main Body	7515	1	
10	Adjusting Screw Nut	7519	1	
23	Nut (Hub)	7534	12	
24	Stud (Hub)	7535	12	
25	Cotter Pin	7536	2	
26	Inner Seal	7503	2	
27	Inner Bearing Assembly	7504	2	
28	Hub	7502	2	
29	Outer Bearing Assembly	7505	2	
30	Retaining Washer	7537	2	
31	Retaining Nut	7506	2	
32	Hub Cap	7507	1	
33	Snow Wheel Tire	7501	2	
34	3 Piece - 6 Hole Rim	7508	2	
37	Pivot Block Bearing	7511	2	
38	Spindle Pivot Block	7509	1	
39	Pivot Block Retainer	7510	1	
40	Bolt 1/4" X 3/4" Gr 8	7532	1	
41	Bolt 5/8" X 1 1/2" Gr 8	7531	1	
42	Bolt 5/16" X 1 1/4" Gr 8	7533	4	
43	Spindle Pivot Pin	7513	1	
44	Friction Plug	7550	1	
45	Spindle Pivot Bearing	7514	2	
46	Dual Spindle	7512	1	
49	5/16" SAE flat washer	7580	16	
54	Hub Complete (items 23 thru 32)	7524	1	
55	Expansion Plug	7560	1	
56	Hydraulic Shut off grease fitting	P7526	1	

Warranty:

Snow-Wheel Systems, Inc. warrants its products for a period of one year from date of purchase.

The warranty provides that our product must perform satisfactorily or we will repair, replace or refund the purchase price at the option of the purchaser.

Any parts returned to **Snow-System, Inc.** shall be shipped prepaid.

The warranty is void if the product has been obviously abused or subjected to other than normal usage.

We reserve the right to make improvements without notice or obligation regarding models previously sold.



Snow-Wheel System, Inc,

212 Home Street

P.O. Box 528

Fairmont, MN 56031 • Fax & Ph. (507) 238-1980