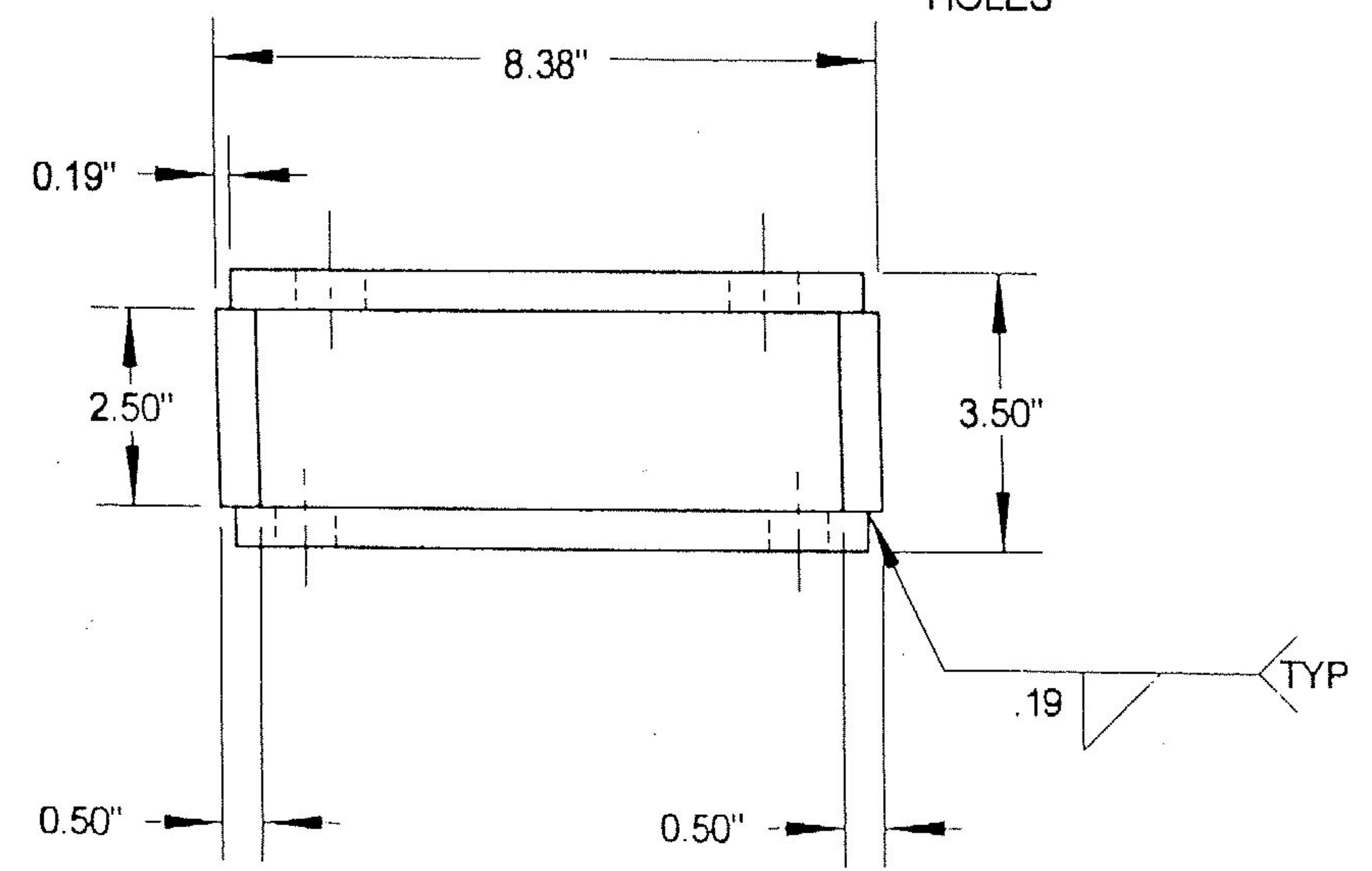


.77" DIA.
HOLES

0.69" DIA.
18 HOLES

MATERIAL: A-36 STEEL PLATE
0.50 THICK



.19 TYP

SNOW-WHEEL SYSTEMS, INC

BRACKET, FB350

PART NO:

DATE: 1/25/04

DRAWN BY: TJB

SCALE: 1/4